


Bell Hydromatics

Check Valves

CRG Series

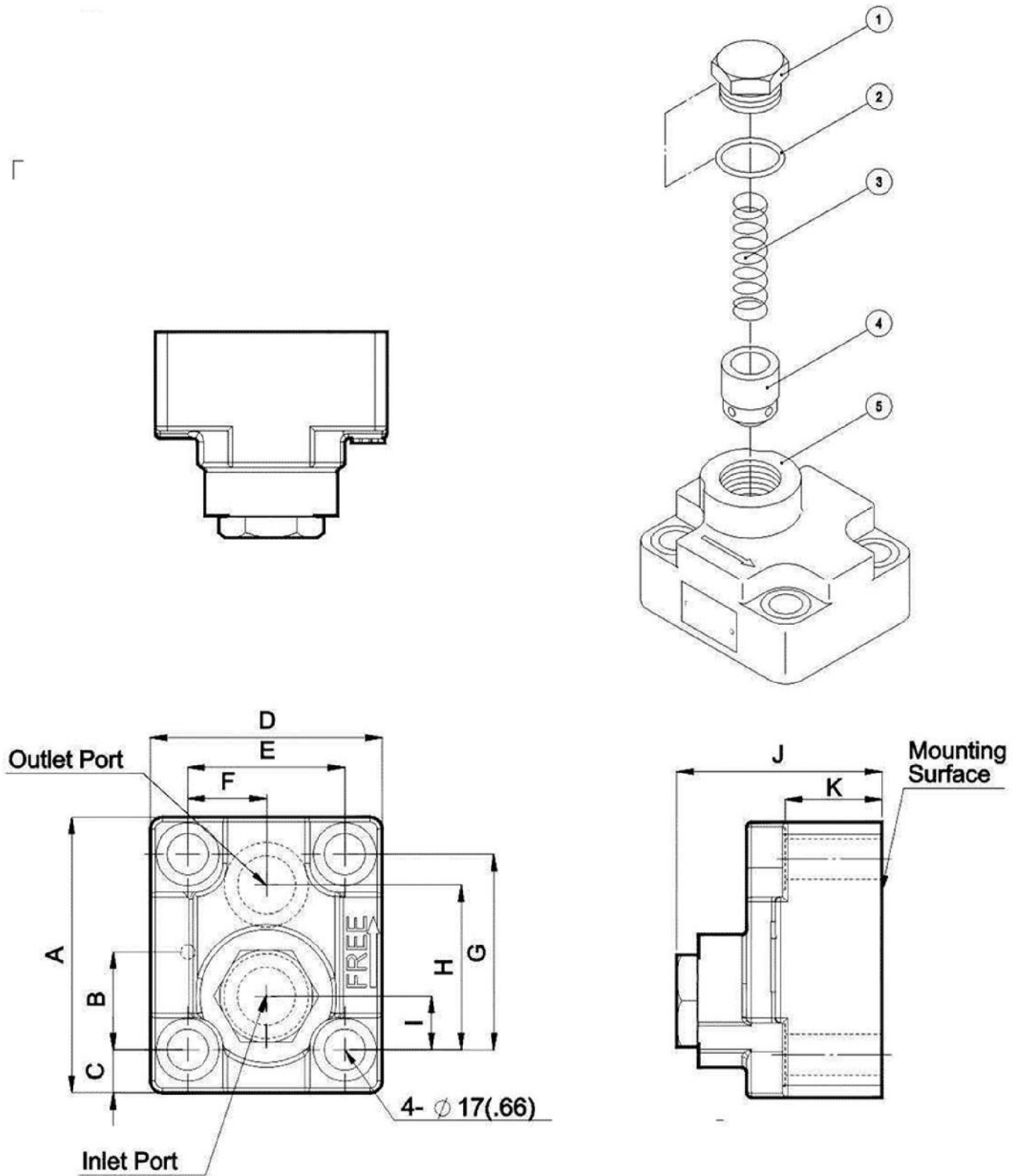


Ordering Code

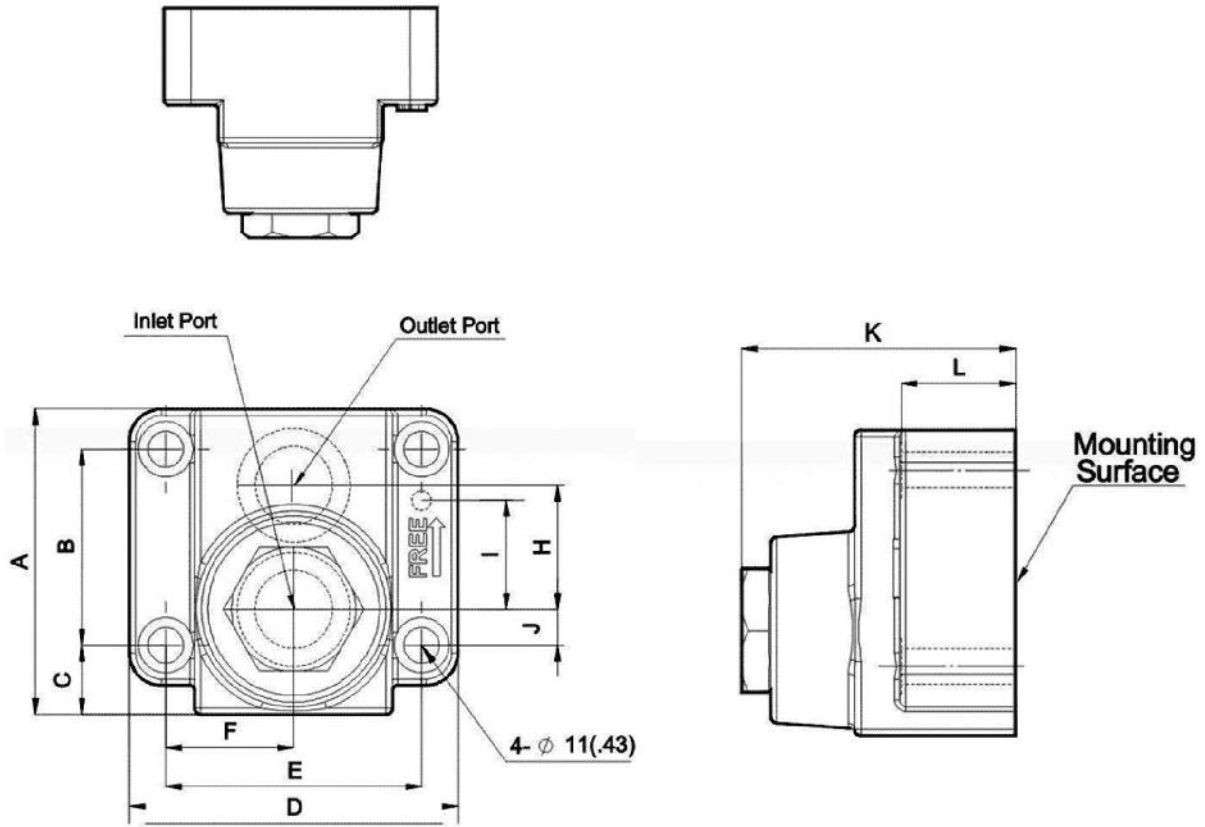
| CR | G | 03 | 50 | 20 |
|---|---------------------------|---|-----------------------------|--|
| Series No. | Type of Mounting | Valve Size | Pressure Range | Design No. |
| CR : Right Angle Check Valve  | G Subplate Mounting | 03 : (3/8") ISO 5781- AG-06-2- A | 04 : 0.4 bar (6 PSI) | 20 (G) DIN 912 bolts |
| | | 06 : (3/4")ISO 5781- AG-08-2- A | 35 : 3.5 bar (50 PSI) | 2090 (G) UNC bolts (North American) |
| | | 10 : (1 1/4")ISO 5781-AJ- 10-2-A | 50 : 5.0 bar (70 PSI) | 50 (G) DIN 912 bolts |
| | | | | 5090 (G) UNC bolts (North American) |

Dimensions

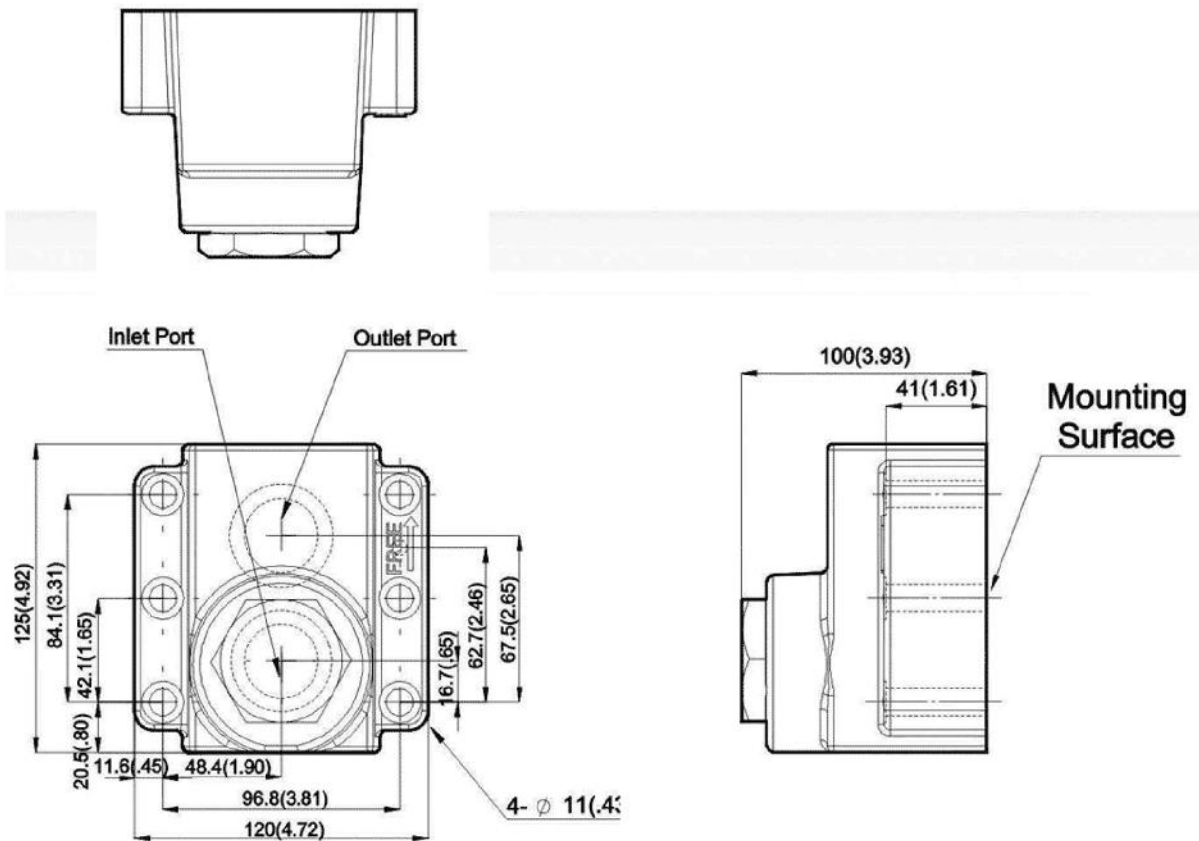
CRG-03-06-10 Check Valves (Right Angle) – Subplate Type – Design 20



CRG-03-06-50 Check Valves (Right Angle) – Subplate Type



CRG-10-50 Check Valves (Right Angle) – Subplate Type



Valve Specifications and Attachment

CRG-03-06-10 Check Valves (Right Angle) – Subplate Type – Design 20

| Model | CRG-03 | CRG-06 | CRG-10 |
|-----------------|-------------------|-----------------|------------------|
| Flow Rating | 30lpm (7.9gpm) | 90lpm (21.1gpm) | 200lpm (52.9gpm) |
| Max. Pressure | 250bar (3600 PSI) | | |
| Weight kg(lbs.) | 2 (4.4) | 4 (8.8) | 8 (17.8) |
| CODE : 20 | M10 X60LgX4pcs | M16 X55LgX4pcs | M20 X70LgX4pcs |
| CODE : 2090 | *** | *** | *** |
| Surface O-Ring | P22AX2pc | P29X2pc | P36X2pc |
| ISO Mounting | ** | ** | ** |

CRG-03-06-50 Check Valves (Right Angle) – Subplate Type

| Model | CRG-03 | CRG-06 |
|-----------------|------------------------|------------------------|
| Flow Rating | 40lpm (10.6gpm) | 125lpm (33gpm) |
| Max. Pressure | 250bar (3600 PSI) | |
| Weight kg(lbs.) | 1.7 (3.8) | 2.9 (6.4) |
| CODE : 20 | M10 X45LgX4pcs | M10 X50LgX4pcs |
| CODE : 2090 | 3/8-16UNCX1-3/4LgX4pcs | 3/8-16UNCX2-3/4LgX4pcs |
| Surface O-Ring | P22AX2pc | P29X2pc |
| ISO Mounting | 5781-AG-06-2-A | 5781-AH-08-2-A |

CRG-10-50 Check Valves (Right Angle) – Subplate Type

| Model | CRG-10 |
|-----------------|------------------------|
| Flow Rating | 250lpm (66gpm) |
| Max. Pressure | 250bar (3600 PSI) |
| Weight kg(lbs.) | 5.5 (12.1) |
| CODE : 20 | M10 X55LgX6pcs |
| CODE : 2090 | 3/8-16UNCX2-1/4LgX6pcs |
| Surface O-Ring | P36X2pc |
| ISO Mounting | 5781-AJ-10-2-A |